



ACCESSORI
ACCESSORIES



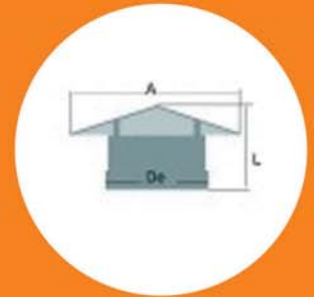
SERRANDA MANUALE PVC/PP
PVC/PP MANUAL DAMPER



SCARICO CONDENZA PVC
PVC DRAIN PLUG



SERRANDA GRAVITÀ PVC/PP
PVC/PP GRAVITY DAMPER



TERMINALE PVC/PP
PVC/PP OUTLET COWLS



GIUNTO FLESSIBILE PVC
PVC FLEXIBLE CONNECTOR



DEFLETTORE PVC/PP
PVC/PP DEFLECTOR COWL



TRONCHETTO CON RETE PVC/PP
PVC/PP OUTLET WITH GRID



EIETTORE PVC/PP
PVC/PP CLEAN AIR STACK



RIDUZIONE PVC/PP
PVC/PP REDUCTION



RETE PROTEZIONE ACCIAIO INOX
STAINLESS STEEL PROTECTION GRID



SILENZIATORE PVC/PP
PVC/PP SILENCER



CURVE PVC/PP
PVC/PP CURVES

56



SUPPORTI ANTIVIBRANTI
SHOCK ABSORBERS



REGOLATORE DI VELOCITÀ
SPEED REGULATOR



INVERTER
FREQUENCY CONVERTER



**CENTRALINA DI CONTROLLO
E REGOLAZIONE DI VELOCITÀ
E PORTATA D'ARIA**
REGULATOR AND CONTROLLER
OF AIR SPEED AND CAPACITY



INTERRUTTORE ON/OFF
SWITCH ON/OFF

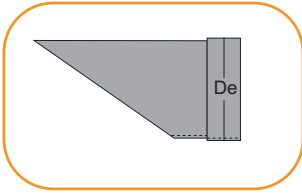


FASCIA PROTEZIONE COCLEA
PVC/ACCIAIO INOX
PVC STAINLESS STEEL HOUSING
STRIP PROTECTION



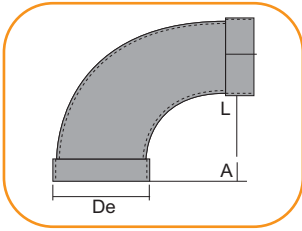
FLANGE PVC/PP
PVC/PP FLANGES





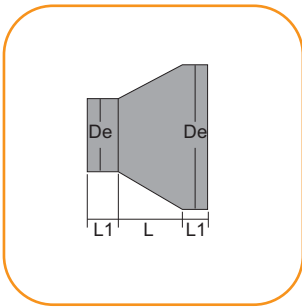
TRONCHETTO CON RETE PVC/PP - PVC/PP OUTLET WITH GRID

DE	110	125	140	160	180	200	225	250	280	315	355	400	450
-----------	-----	-----	-----	-----	-----	-----	-----	-----	-----	-----	-----	-----	-----



CURVA 90° PVC/PP - PVC/PP CURVE 90°

DE	110	125	140	160	180	200	225	250	280	315	355	400	450	500
L	110	125	140	160	180	200	225	250	280	315	355	400	450	500
L1	40	40	40	40	40	40	40	40	50	50	50	50	50	50

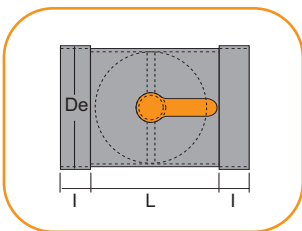


RIDUZIONE PVC/PP - PVC/PP REDUCTION

DE	125/110	140/110	140/125	160/110	160/125	160/140	180/110	180/125	180/140	180/160	200/140	200/160
L	40	80	80	140	100	60	60	50	40	60	70	120
L1	40	40	40	40	40	40	40	40	40	40	40	40

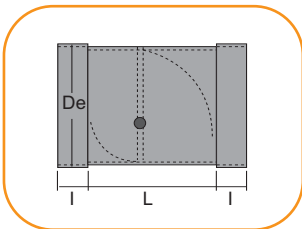
DE	200/180	225/160	225/180	225/200	250/180	250/200	250/225	280/200	280/225	280/250	315/225	315/250
L	60	100	105	80	100	140	80	120	120	80	155	100
L1	40	40	40	40	40	40	40	40	40	40	40	40

DE	315/280	355/250	355/280	355/315	400/280	400/315	400/355	450/315	450/355	500/355	500/400	500/450
L	100	140	135	120	105	120	135	120	100	100	200	100
L1	50	40	50	50	50	50	50	50	50	50	50	60



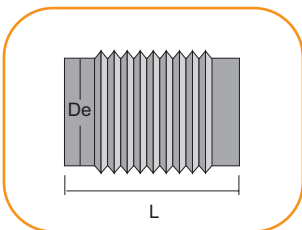
SERRANDA MANUALE PVC/PP - PVC/PP MANUAL DAMPER

DE	110	125	140	160	180	200	225	250	280	315	355	400	450	500	600
L	40	40	40	40	40	40	40	40	40	40	40	320	350	450	
L1	40	40	40	40	40	40	40	40	50	50	50	50	60	60	60



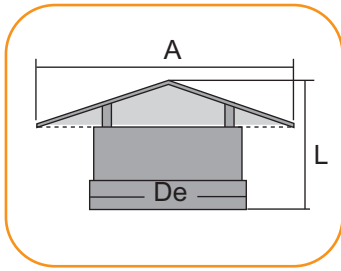
SERRANDA GRAVITÀ PVC/PP - PVC/PP GRAVITY DAMPER

DE	110	125	140	160	180	200	225	250	280	315	355	400	450	500	600
L	110	125	140	160	180	200	225	250	280	315	355	400	450	500	600
L1	40	40	40	40	40	40	40	40	50	50	50	50	60	60	60



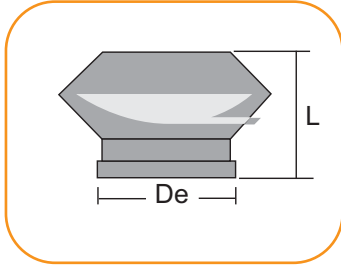
GIUNTO FLESSIBILE PVC - PVC FLEXIBLE CONNECTOR

DE	110	125	140	160	180	200	225	250	280	315	355	400	450	500	600
L	170	170	170	170	170	170	170	170	170	170	170	170	170	170	170



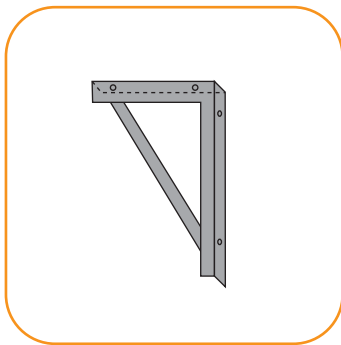
TERMINALE PVC/PP - PVC/PP OUTLET COWLS

DE	110	125	140	160	180	200	225	250	280	315	355	400	450
L	170	170	180	190	200	210	230	240	270	290	300	330	380
A	225	225	250	250	280	315	355	400	450	500	550	600	700

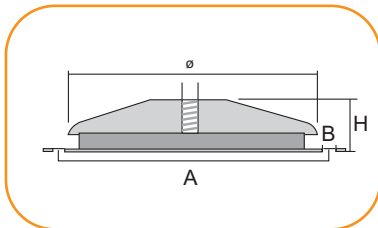


DEFLETTORE PVC/PP - PVC/PP DEFLECTOR COWLS

DE	160	180	200	225	250	280	315	355	400	450
L	400	400	400	430	470	500	500	550	550	550

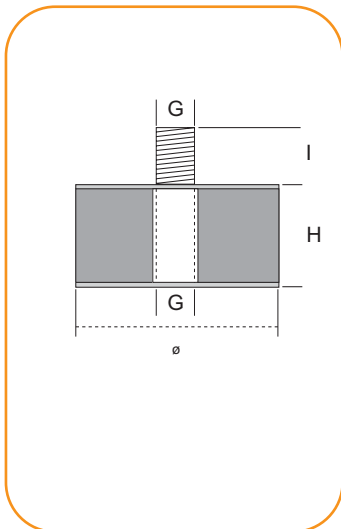


STAFFA DI SOSTEGNO VENTILATORE - FAN WALL BRACKET



SUPPORTI ANTIVIBRANTI - SHOCK ABSORBERS

VENT. TIPO FAN TYPE	A	B	D	G	H	I	N°
ESEC. 5 - EXEC 5							
20/25/28			25	M8	20	20	4
31/35/40/45			40	M10	30	20	4
50/56/63			40	M10	30	20	6
71/80/90	110	10	90	M16	42	-	6



ESEC. 2 - EXEC 2							
20/25/28			40	M10	30	20	4
31/35/40/45			40	M10	30	20	4
ESEC. 12 - EXEC 12							
50/56/63	85	9	60	M10	32	-	7
71/80/90	110	10	90	M16	42	-	7
71/80/90	160	16	120	M16	45	-	